

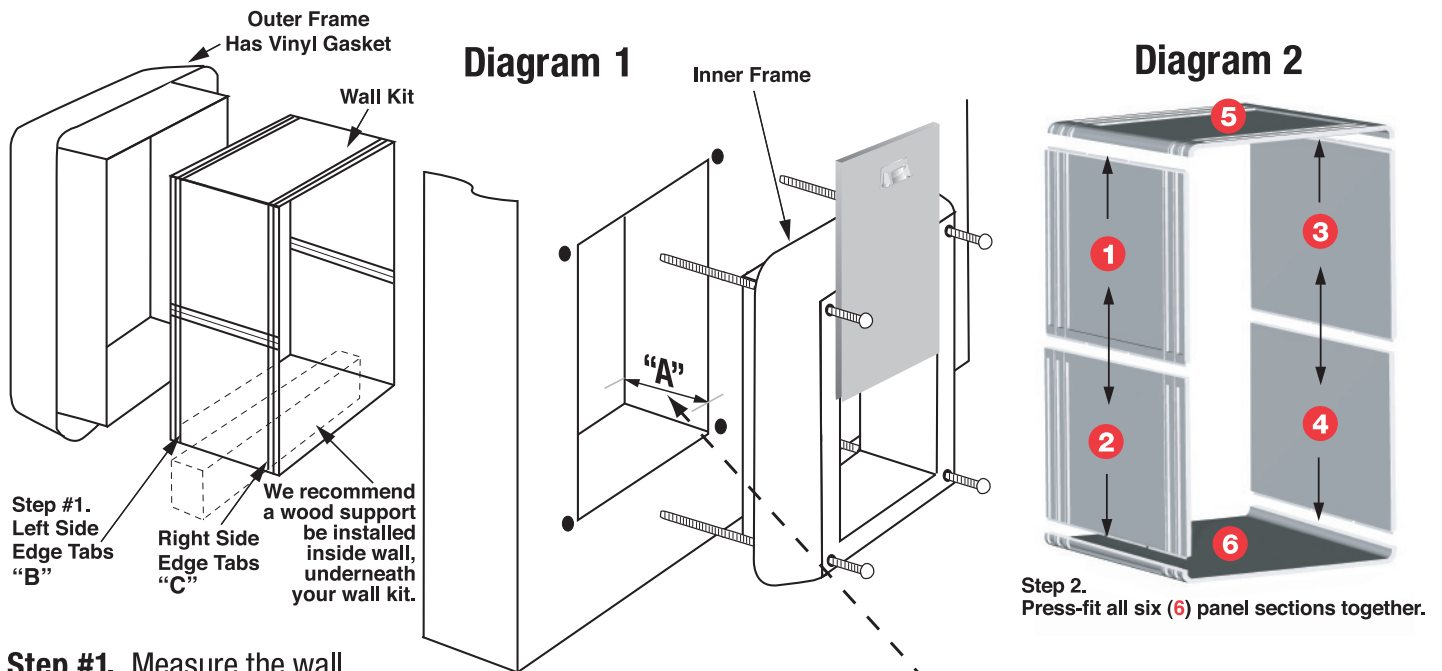
As with any home improvement project, if you do not have the tools or skills to properly install your pet door, we suggest using a professional handyman or licensed contractor.

# “Ruff Weather™” Wall Kit Installation Instructions

**IMPORTANT!!!** Whenever Drilling And Cutting Through Walls, Extreme Caution Should Always Be Taken To Avoid Gas, Electric & Plumbing Lines.

To cut opening, use the template and instructions included with the Ruff Weather Pet Door (Purchased Separately).

**Note:** We recommend two persons working together to complete installation Steps 4 and 5, listed below.



**Step #1.** Measure the wall thickness through the cut out opening and make a note of wall thickness “A”. For walls 6-3/4” to 7-1/4”, use Wall Kit as is. For walls less than 6-3/4” assemble the six (6) panel sections and using a felt-tipped marker, mark an “X” on all six (6) panel sections left side Edge Tabs “B”. Disassemble and snap off the “X” marked Edge Tabs using vice grips. Re-assemble and test for fit. If Wall Kit needs to be shorter, snap off the right side Edge Tabs “C” using vice grips. See **Diagram 1**.

**Step #2.** Complete the final assembly of Wall Kit by firmly press-fitting all six (6) panel sections together. See **Diagram 2**.

**Step #3.** The Wall Kit Screws included are 9-1/2” long and may need to be shorter for your wall assembly. Use the following instructions to determine custom length: Through wall dimension “A” + 2-5/8” = Wall Kit Screws custom length. Mark this length on screws and thread a 1/4” x 20 nut (not supplied) onto screw past the mark. Clamp screw and cut with a hack saw at mark. After cutting, un-thread the nut from screw to remove excess material at end of screw.



**Step #4.** With a second person holding “Outer Frame” of Ruff Weather Door in place, insert assembled Wall Kit into opening from inside. We recommend a wood support (not supplied) be installed inside wall, underneath your wall kit. See **Diagram 1**. Place “Inner Frame” of Ruff Weather Door into opening around the Wall Kit. **The Wall Kit will be slightly shorter than the cut out opening thickness. Push Wall Kit until it is touching the ribs on the inside frame and/or caulk in place with silicone caulk (not supplied).**

**Step #5.** To complete the installation, insert Wall Kit Screws and tighten securely. **Do Not Overtighten.**

**Step #6.** For better insulation, you may use silicone caulking (not supplied) to fill any gaps around your Wall Kit.